



# **SUPREME X-SERIES FRONT BAR**

Isuzu MU-X (2021-2024)

INSTALLATION MANUAL

## X-Series Front Bar – Isuzu MU-X (2021-2024)

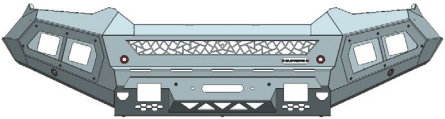
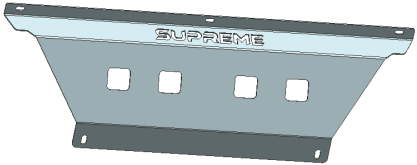
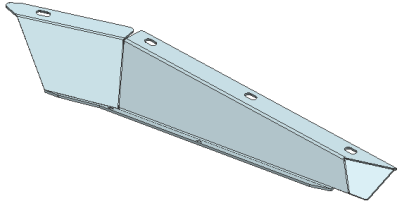
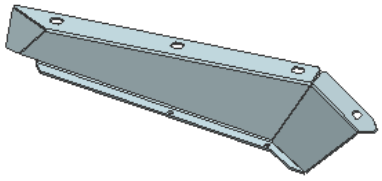
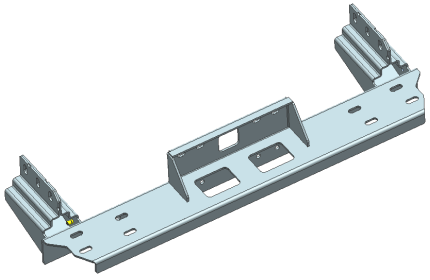
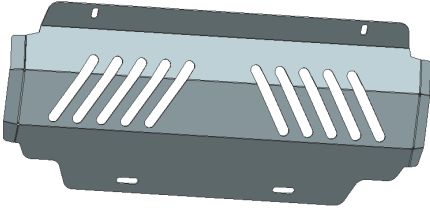
### Before Installation

- Please read through the instructions completely for correct and easy installation, following these instructions carefully will help to avoid scratches or other potential damage to your vehicle.
- The figures here may vary slightly with the actual product measurements, however this will not directly affect or cause any issues with the assembly method.

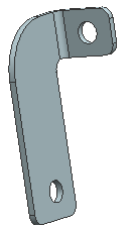

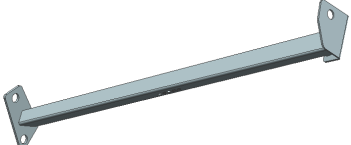
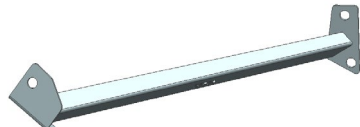
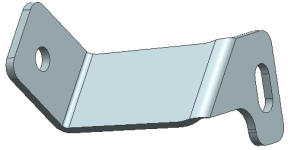
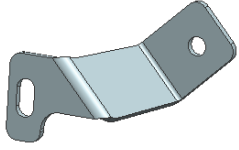
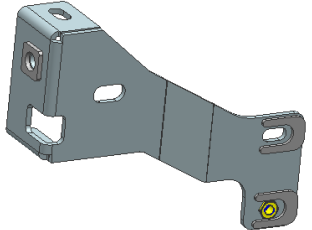
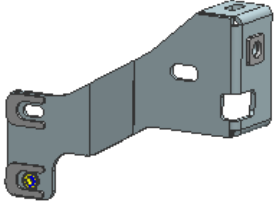
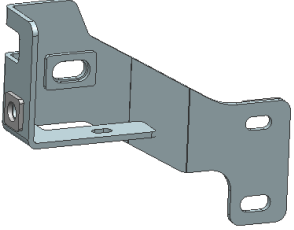
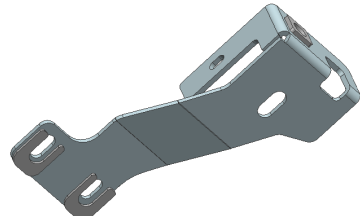
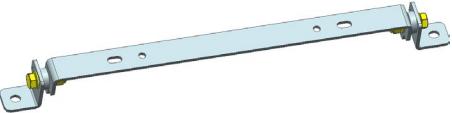
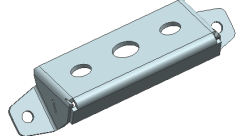
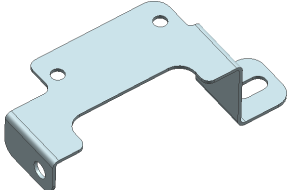
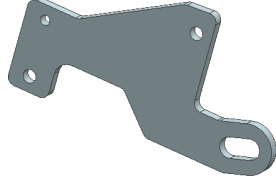
### Care and Cleaning

- The product is car wash safe and can be cleaned & washed using regular car washing methods.
- For the longevity and functionality, please periodically check and retighten all the hardware and clean any debris build up.

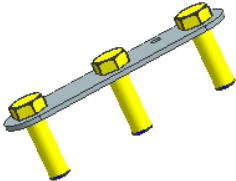
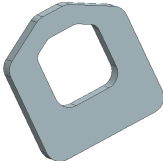
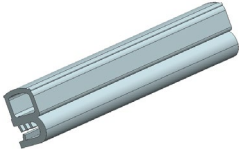
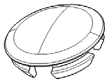


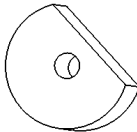
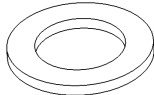
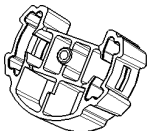
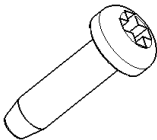
### Parts list

NO.	QTY	NAME	NO.	QTY	NAME
①	1	 Main bull bar Assembly	②	1	 Central skid plate
③	1	 Skid plate (L)	④	1	 Skid plate(R)
⑤	1	 Winch frame	⑥	1	 Extended skid plate

Supreme X-Series Front Bar – Isuzu MU-X 2021-2024


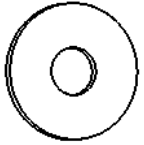
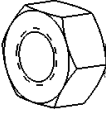
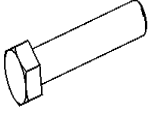
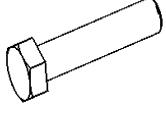

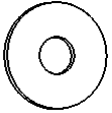
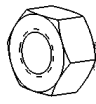
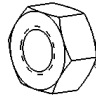
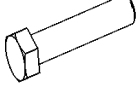
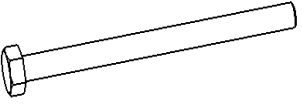


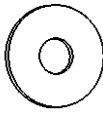

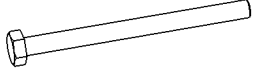




<p>⑦</p> <p>1</p>	 <p>Lamp bracket (L)</p>	<p>⑧</p> <p>1</p>	 <p>Lamp bracket (R)</p>
<p>⑨</p> <p>1</p>	 <p>Support bar (L)</p>	<p>⑩</p> <p>1</p>	 <p>Support bar (R)</p>
<p>⑪</p> <p>1</p>	 <p>headlight bracket (L)</p>	<p>⑫</p> <p>1</p>	 <p>headlight bracket (R)</p>
<p>⑬</p> <p>1</p>	 <p>Inner bracket (L)</p>	<p>⑭</p> <p>1</p>	 <p>Inner bracket (R)</p>
<p>⑮</p> <p>1</p>	 <p>External bracket (L)</p>	<p>⑯</p> <p>1</p>	 <p>External bracket (R)</p>
<p>⑰</p> <p>1</p>	 <p>Foldable license bracket</p>	<p>⑱</p> <p>2</p>	 <p>Antenna bracket</p>
<p>⑲</p> <p>1</p>	 <p>Winch frame bracket</p>	<p>⑳</p> <p>2</p>	 <p>Recovery points</p>

Supreme X-Series Front Bar – Isuzu MU-X 2021-2024

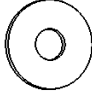
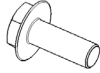
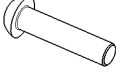




<p>②1</p>	<p>2</p>	 <p>Bolt-plate</p>	<p>②2</p>	<p>4</p>	 <p>Spacer</p>
<p>②3</p>	<p>1</p>	 <p>Tape</p>			
<p><b>Sensor relocation kits:</b></p>					
<p>②4</p>	<p>4</p>	 <p>Lid</p>	<p>②5</p>	<p>4</p>	 <p>Holder</p>
<p>②6</p>	<p>4</p>	 <p>Lock ring</p>	<p>②7</p>	<p>4</p>	 <p>Foam packer</p>
<p>②8</p>	<p>4</p>	 <p>Foam ring</p>	<p>②9</p>	<p>4</p>	 <p>Base</p>
<p>③0</p>	<p>8</p>	 <p>Tapping screw ST4_15</p>			

**Supreme X-Series Front Bar – Isuzu MU-X 2021-2024**

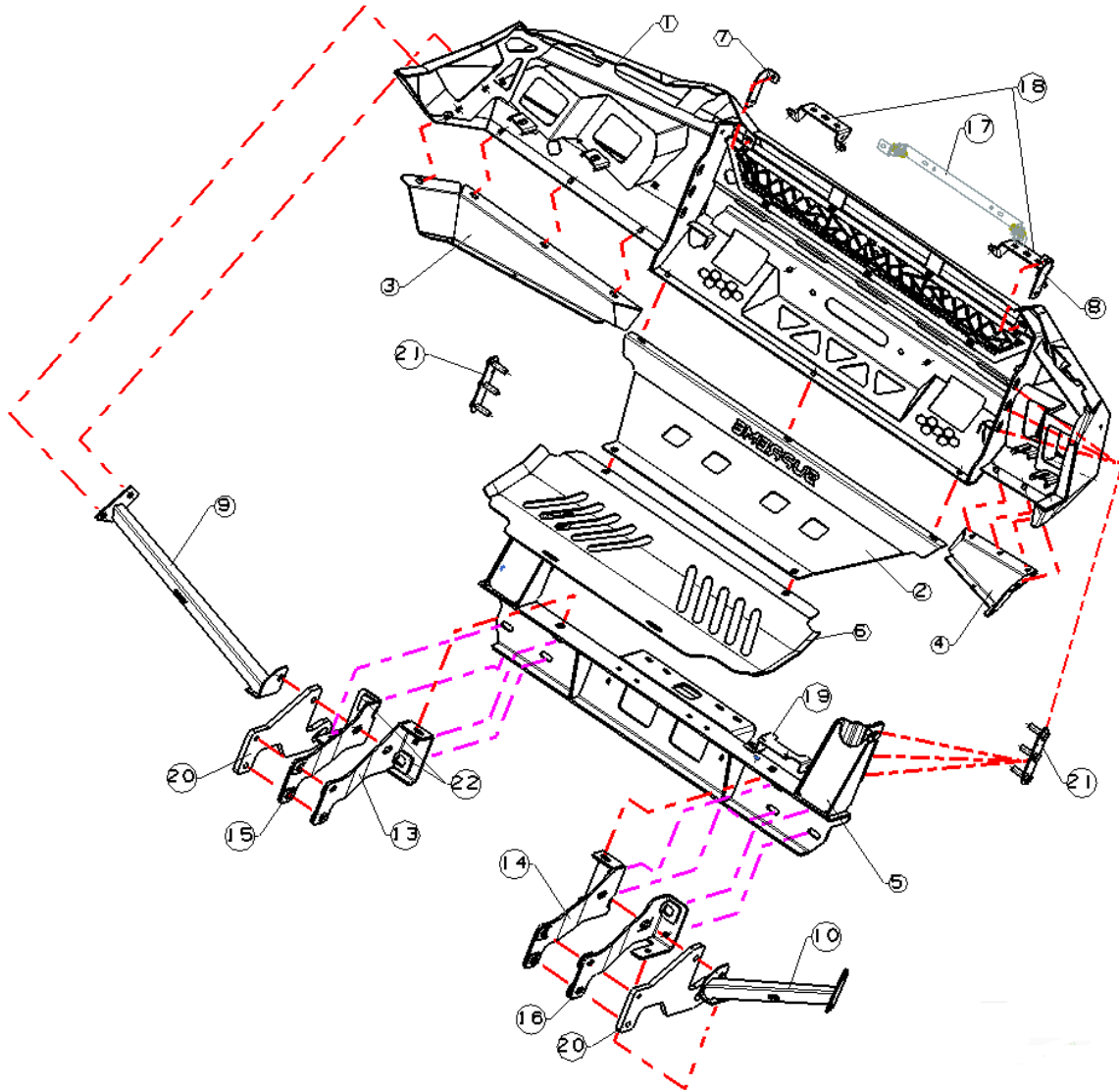
**Hardware List:**

31	12	 Spring washer D12	32	18	 Large washer D12_37_3
33	12	 Hex nut M12	34	2	 Hex bolt(Full Thread) M12_35
35	4	 Hex bolt(Full Thread) M12_45	36	8	 Spring washer D10
37	16	 Large washer D10_30_2.5	38	2	 Hex nut M10
39	4	 Hex nut M10x1.25	40	4	 Hex bolt (Full Thread) M10x1.25_45
41	4	 Hex bolt(Full Thread) M10_110	42	6	 Hex nut with flange M8
43	2	 Spring washer D8	44	4	 Large washer D8_24_2
45	6	 Hex bolt & washer assembly M8_25	46	2	 Hex bolt(Full Thread) M8_110
47	2	 Hex nut M8	48	21	 Bolt & washer assembly M6_20
49	8	 Hex nut with flange M6	50	2	 Spring washer D6

**Supreme X-Series Front Bar – Isuzu MU-X 2021-2024**

⑤①	2	 Large washer D6_18_1.6	⑤②	2	 Hexagon flange bolt M6_16
⑤③	2	 Hexagon socket flat round head screw M6_25	⑤④	1	 Wrench S=4
<b>Hardware list of foldable license bracket:</b>					
⑤⑤	8	 Flat washer D4(4x8.65x0.8mm)	⑤⑥	4	 Hex nut M4
⑤⑦	4	 Pan head bolt M4_16			

## Installation Figure.



**FIRSTLY:** Verify that all parts are present.

**NOTE:** Any factory clips or screws you remove need to be kept as it may be used in later steps.

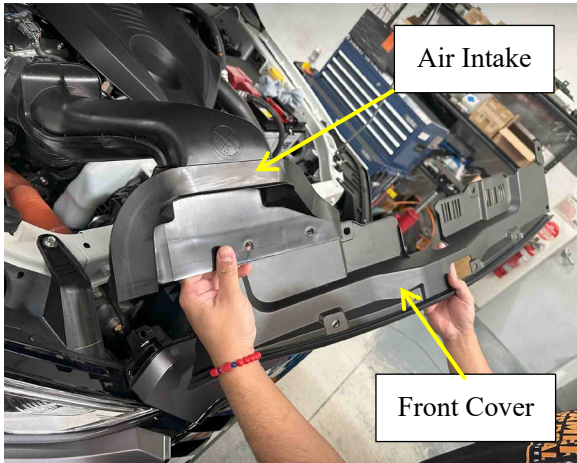
### **REMOVING THE FRONT FACTORY BUMPER**

1. Remove the negative battery terminal on the vehicle's battery. This is a **MUST** do step to prevent error codes and miscalibration of the vehicle's tech pack/sensors and camera.

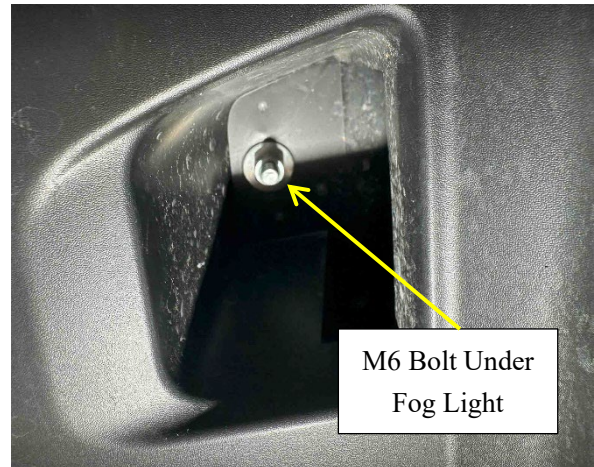


## Supreme X-Series Front Bar – Isuzu MU-X 2021-2024

2. Remove the Plastic Front Cover & Plastic Air Intake in the engine bay removing any clips and screws. Also there is a screw at the front of the Grille that needs removing. Keep all removed parts.



3. Remove the 3 clips under each side of the vehicle. 1 near the recovery point, 1 under the fog light and 1 under the wheel arch. There is also an M6 Bolt under the fog light that needs removing.



4. Gently pull on each side of the Front Bumper to unclip it (but don't completely detach it yet), on the passenger side there is a sensor/fog light plug that needs to be disconnected before completely removing the Front Bumper with the Grille.



## Supreme X-Series Front Bar – Isuzu MU-X 2021-2024

5. There is a vertical plastic piece near each headlight that needs removing. Firstly unclip the 2 clips holding it in place as shown below then the whole piece can be detached and discarded.



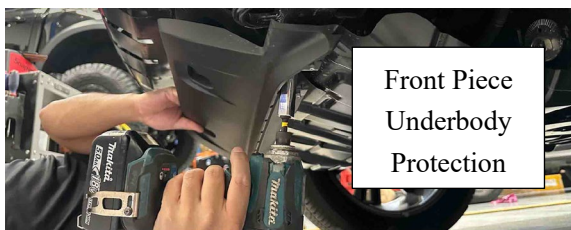
6. Unscrew and remove the Black Plastic Piece to the side of the Head Lights and also the Metal Strip at the bottom holding the Front Mud Guards as shown. Do this for both sides of the vehicle.

**IMPORTANT:** Keep all the Screws or Bolts.



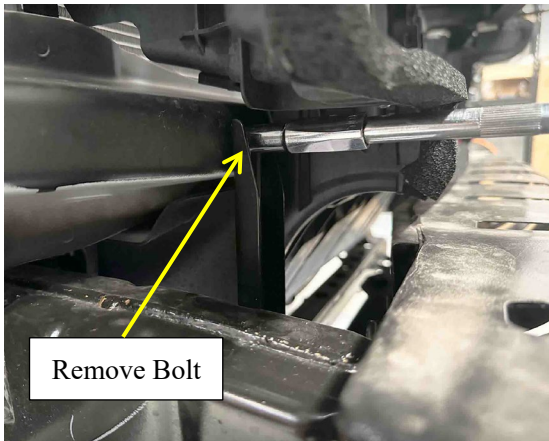
7. Remove the bottom 3-piece underbody protection by removing the bolts that hold them in place starting from the Front, then Middle and finally the Back piece. The 3 pieces can be discarded.

**IMPORTANT:** Keep all the bolts.

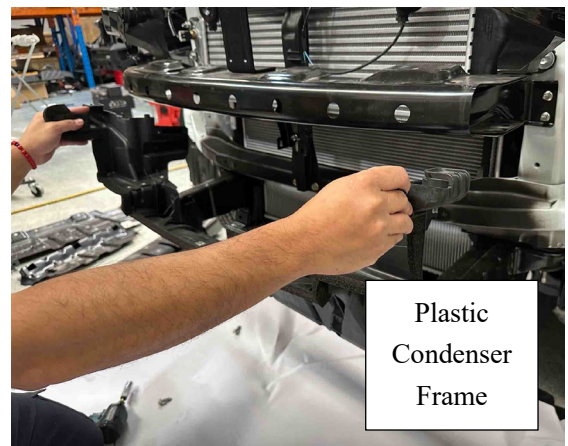
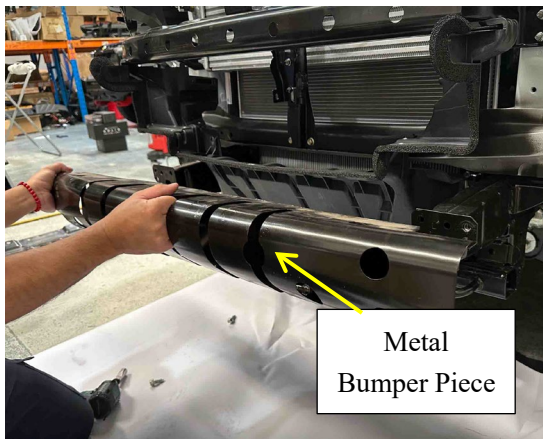


## Supreme X-Series Front Bar – Isuzu MU-X 2021-2024

8. Remove this vertical metal piece on each side of the intercooler by removing the bolts. Discard the metal piece but keep the bolts.



9. Remove the Metal Bumper Piece by removing the 4 Bolts. Then Remove the Plastic Condenser Frame which is held on by 4 clips.



10. That concludes the removing of all Factory Parts, and the assembly of the Supreme Bar can begin.



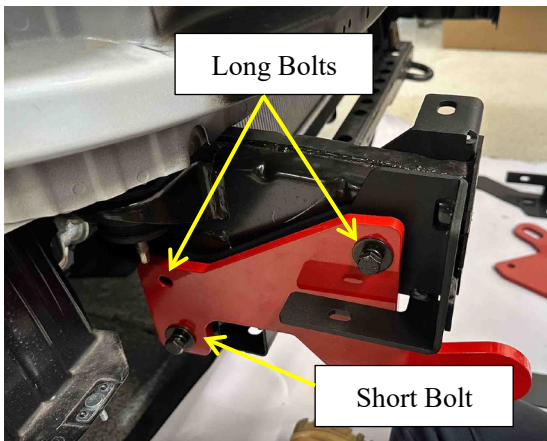
### FITTING THE RECOVERY POINTS AND WINCH CRADLE

11. You will need 2 Black Brackets and 1 Red Recovery Point as shown per side. Also, you will require 3 Bolts that need to be set up like shown below: Bolt, Spring Washer, Washer, Nut.

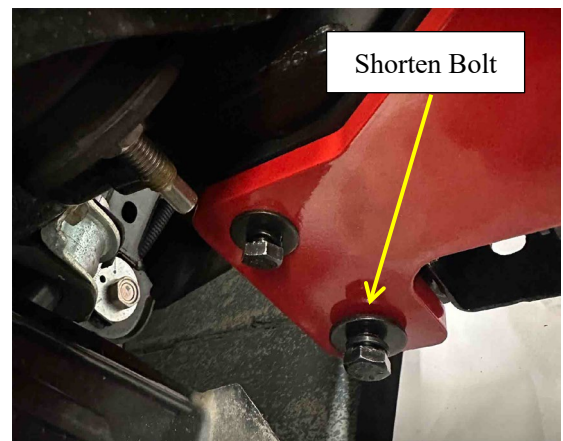
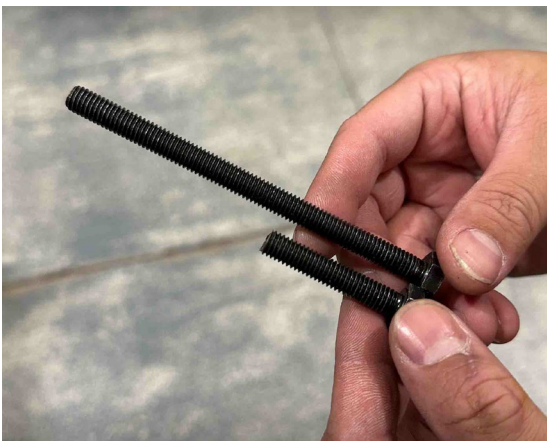
**NOTE:** If a short bolt is not provided, and only long ones available, please refer to Step (13)



12. Put the Recovery Points with their 2 corresponding Brackets on each side and secure them (Not too tightly) at the Front Point and the Rear Bottom Point with 1 long and 1 short bolt which have nuts.

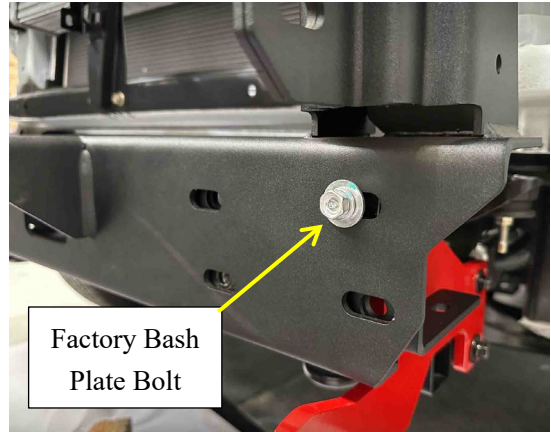
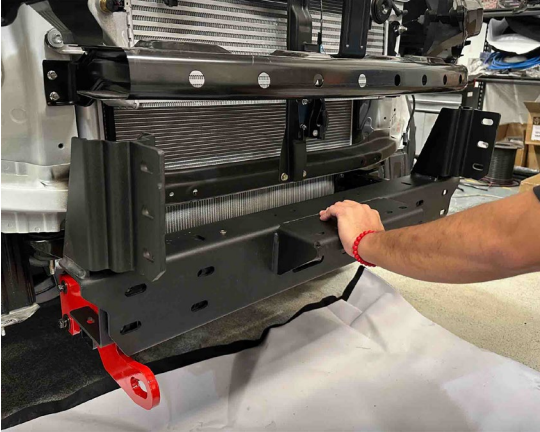


13. The Long Bolt will need to be shortened to about 45mm and used to secure the Rear Bottom Point of the Recoveries. This will require the Nut to secure. Don't tighten any of the bolts yet.

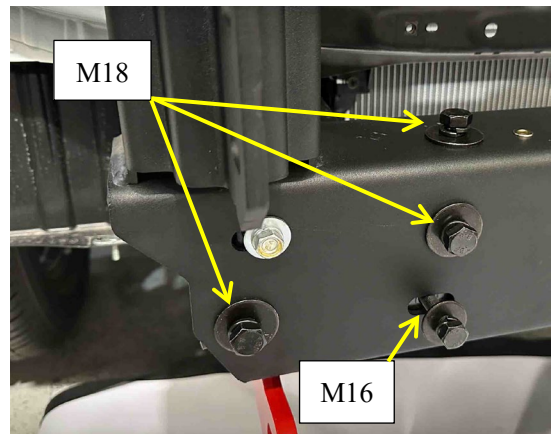
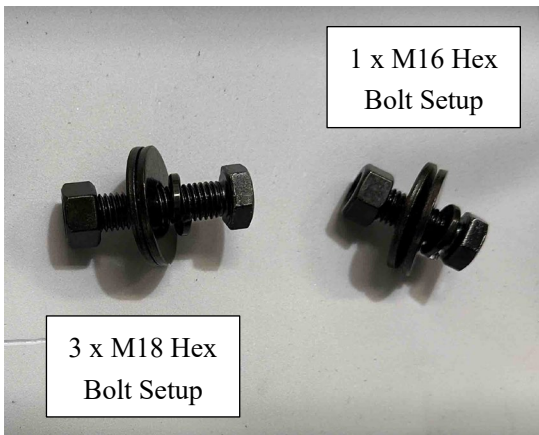


## Supreme X-Series Front Bar – Isuzu MU-X 2021-2024

14. Sit the Winch Cradle in place on top of the Recoveries and secure the top outer points with the Factory Bash Plate Bolts which were removed and kept.



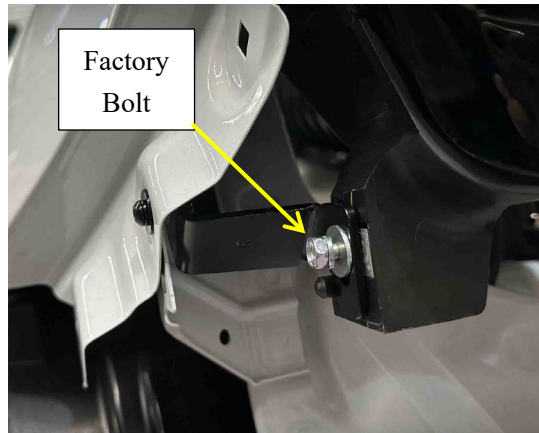
15. Setup your bolts like shown with 3x M18 and 1x M16, then secure the Winch Cradle onto the vehicle with the Bolts shown on both sides of the Winch Cradle. Do not tighten yet.



16. Align the Cradle to be as middle as possible (This is important as it will determine how your front bar sits). Test fit the front bar first, if the gaps and alignment is good, then remove the bar and tighten all the cradle and recovery point bolts (EXCEPT the Red Recoveries Front Top Bolt – Need to re-use later).
17. Remove this Bolt from the side of the vehicle at the wheel arch and put the provided Bolt and Washer like so in its place. Do this for both sides.

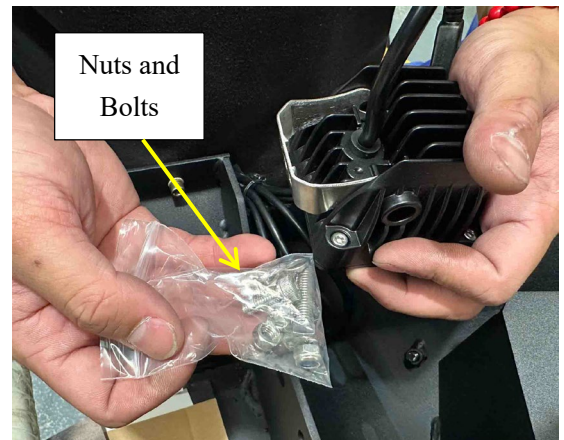
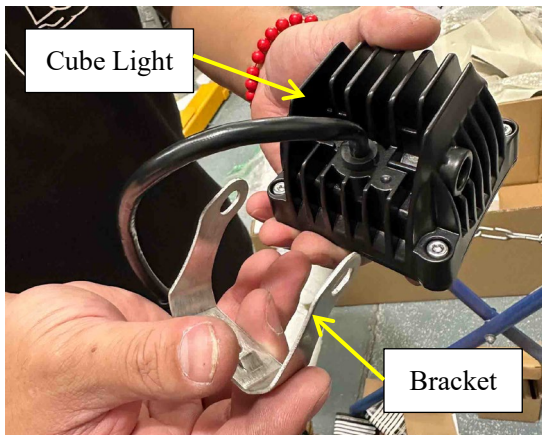


18. Place the Headlight Support Bracket on as shown onto the Bolt we just put in place and secure the bottom part with the Factory Bolt that was removed and kept from Step 6 as shown. Do this for both sides.

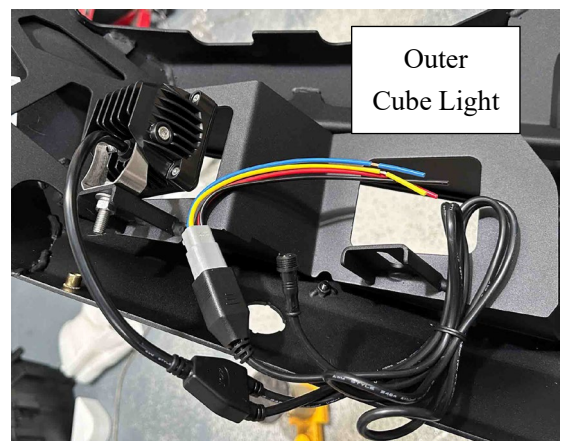


### **ASSEMBLY OF THE LIGHTS ON THE FRONT BAR**

19. There are 4 Cube Lights in total and firstly you will need to secure the Cube Light Brackets onto the Cube Lights using the Nuts and Bolts provided.



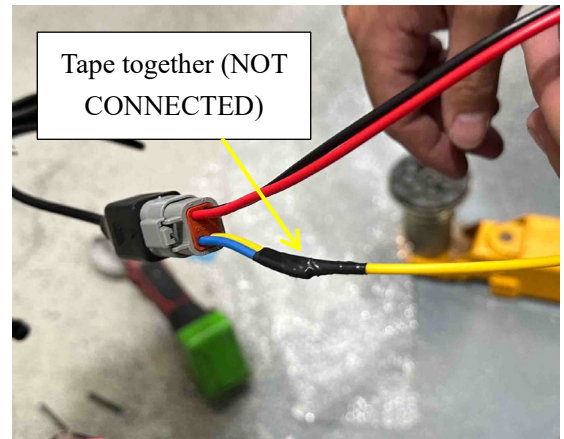
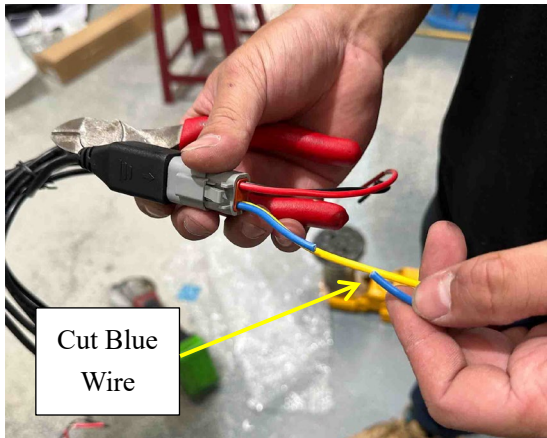
20. **IMPORTANT:** There are 2 different Cube Lights: the ones with 4 coloured wires attached (red, blue, yellow, and black) go on the outer side of the Front Bar (as shown in the image), while the ones with only black and red go on the inner part of the Front Bar. Once identified, place them in their correct positions and fit the Cube Lights onto the Front Bar like shown with the longer nuts and bolts.



**TIP:** If having trouble securing Cube Light Bracket to the Bar, use a washer to make it easier (Not provided).

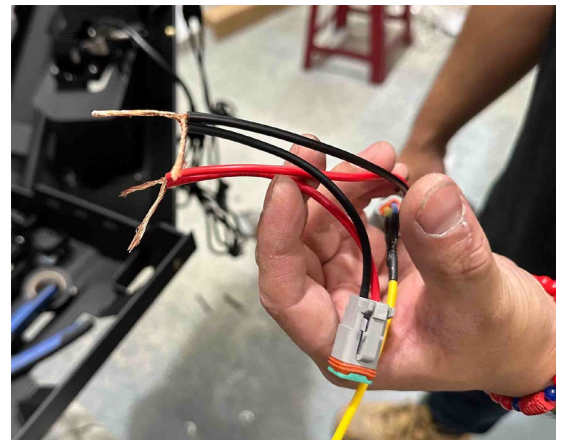
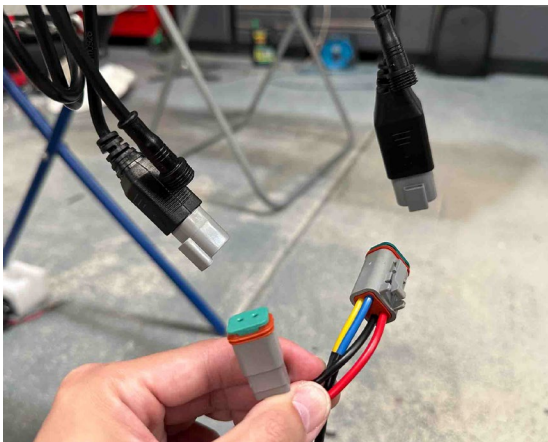
## Supreme X-Series Front Bar – Isuzu MU-X 2021-2024

21. Now go to the outer cube lights and cut the blue wires (These are not needed) tape it together with the yellow wire (but DON'T connect together, just taped to be neat).

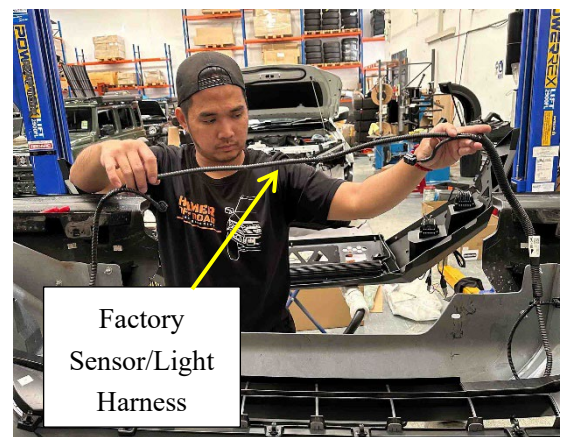


22. Now take the black wire from the Outer Cube Light and the black wire from the Inner Cube Light and join them together. Do the same for the red wires from the Outer and Inner Cube Lights joining them like so. Do this for both the right and left Cube Lights on the Front Bar.

(Unplugging the wires from the Cube Lights will make this step and future steps easier)

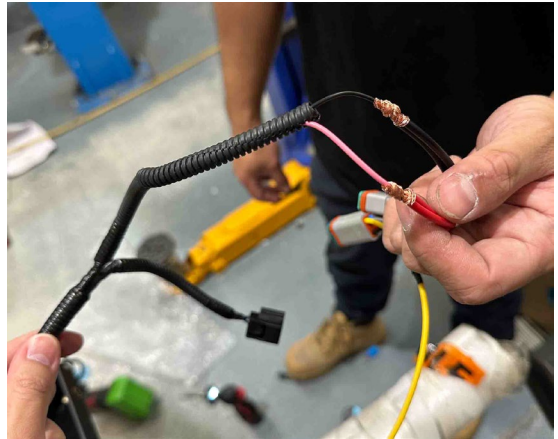


23. Now remove the Factory Sensor/Light Harness from the Factory Front Bumper and cut off the Fog Light Plug exposing the 2 wires (Black and Pink).

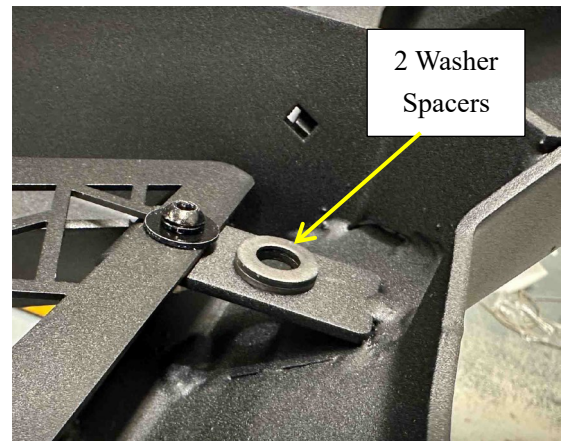


24. Connect the black wire from the cut off plug to the black conjoined wires of the Cube Lights (created in step 22). Do the same with the \*other coloured wire\* and wire it with the red conjoined wires of the Cube Lights. Do this for both sides.

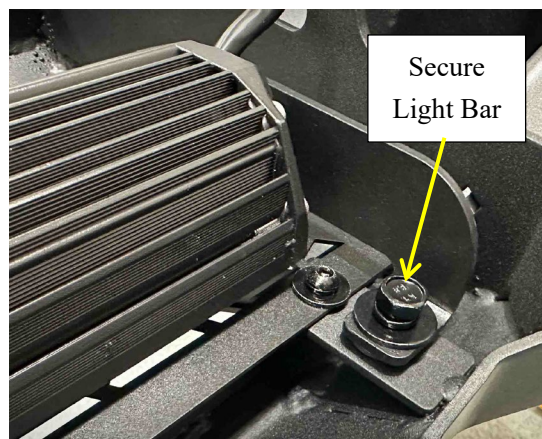
**\*NOTE:** The factory fog light harness wires may have different colours depending on model, connect the wire which isn't black with the red conjoined cube light wires



25. Now that the Cube Lights are all prepared, moving onto the Light Bar. Secure the Light Bar Brackets on each side of the Light Bar with the nuts provided, then position the Light Bar onto the Front Bar leaving gap between as shown with 2 Washers (washers not provided).

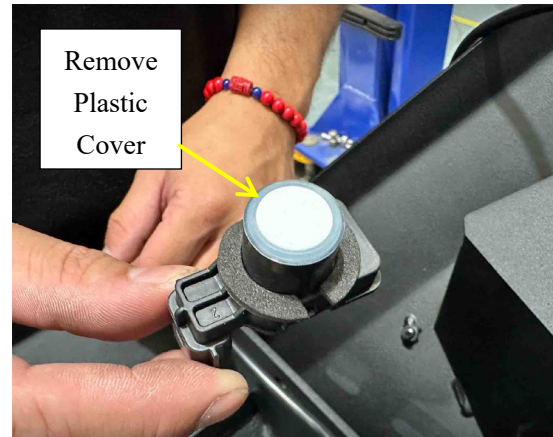
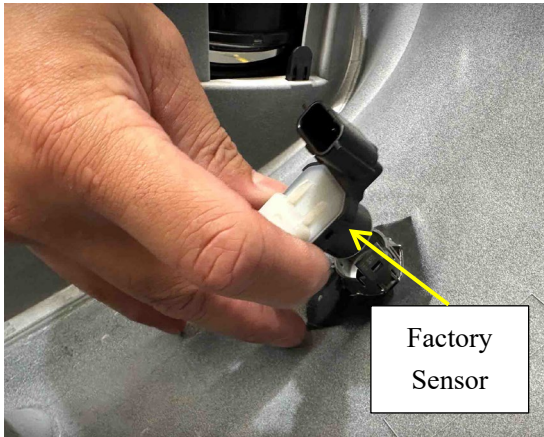


26. Make sure the Light Bar is perfectly straight, then tightly secure the Light Bar to the Front Bar using the nuts, bolts, and washers like so.

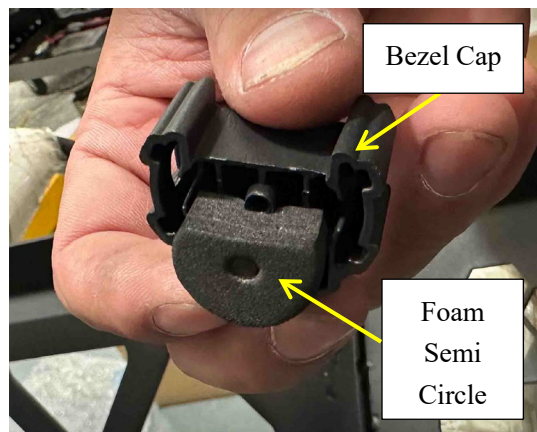
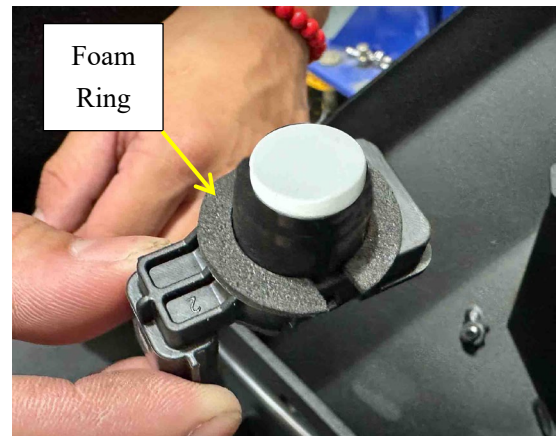
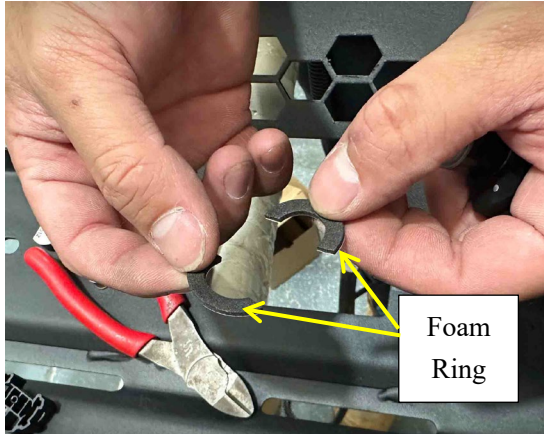


## FITTING THE SENSORS ON THE FRONT BAR

27. Remove the factory sensors from the bumper like so and remove the front plastic cover. **IMPORTANT** to note the positions of the factory sensors and orientation of the plug so that they match exactly the positions and plug orientation you relocate them to on the supreme front bar.

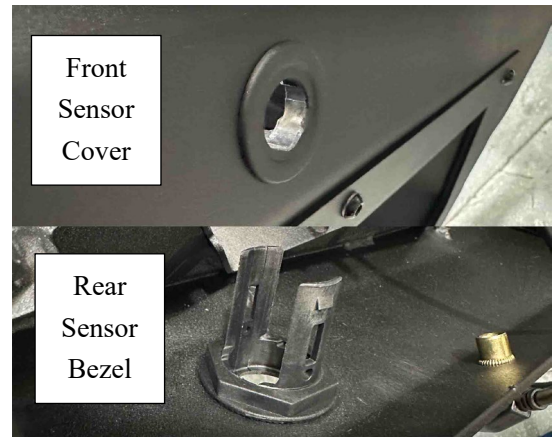


28. Cut the Foam Ring in half and stick onto the front of the sensor and stick the Foam Semi-Circle onto the Bezel Cap like shown.



## Supreme X-Series Front Bar – Isuzu MU-X 2021-2024

29. Make the Sensor Cover Hole bigger by shaving its inner edge until the Factory Sensor Fits in. Prepare the Sensor Pack by putting the Front Sensor Cover on the front of the Bar and the Sensor Bezel on the back. Do this for all sensor holes on the bar.



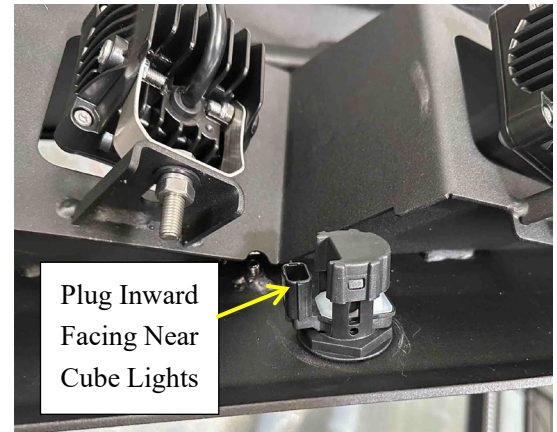
30. Fit the Factory Sensor into the prepared Sensor Bezel then push and clip in the Bezel Cap on top (make sure it is secured and clipped in). This is how to fit all sensors.



**IMPORTANT:** Please make sure the orientation of the sensors is like what is shown below.

The plugs on the Sensors next to the Light Bar are facing outwards.

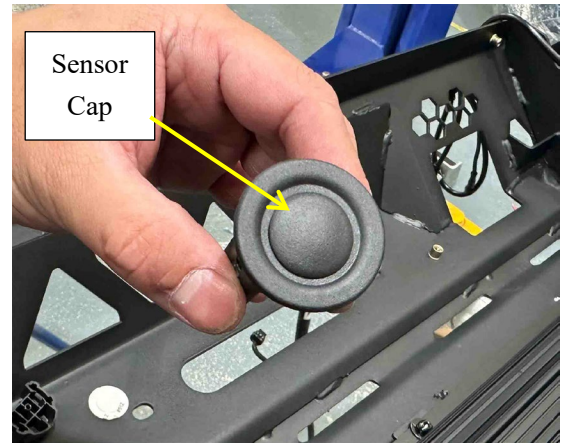
The plugs on the Sensors next to the Cube Lights are facing inwards.



## Supreme X-Series Front Bar – Isuzu MU-X 2021-2024

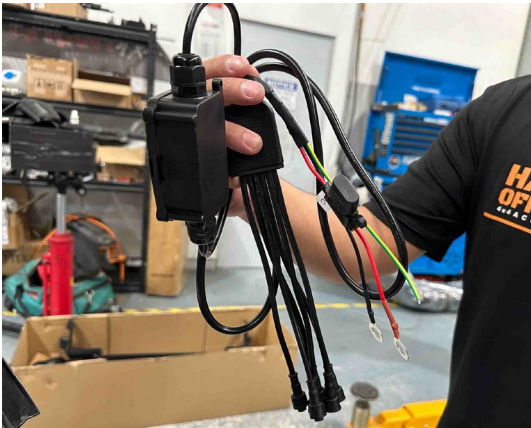
31. For vehicles that don't have sensors, follow step (29) To install the Front Sensor Cover and the Sensor Bezel then instead of fitting the factory sensor into this Bezel, simply cover it up with the Sensor Cap.

The Front Bar is prepared and ready for fitting.



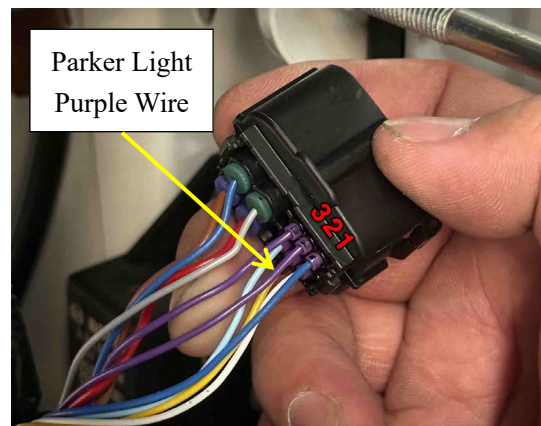
### WIRING THE RGB LIGHT HARNESS

32. Secure the RGB Light Harness onto the vehicle's factory frame as shown with cable ties.



33. **TIP:** Splice the black cable to expose more of the Green and Yellow wire to create more reach. Locate and unplug the Factory Headlight Socket on the passenger side of the vehicle. The Middle Purple Wire (labelled no.2 in the image below) Next to the Blue Wire is the Parker Light that we need.

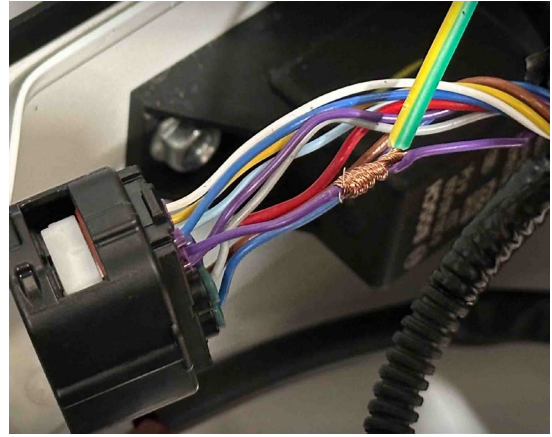
**NOTE:** There are 2 Purple-Coloured Wires on the Factory Headlight Socket, the one next to the Blue Wire is the one we need. NOT to be confused with the other Purple Wire (labelled 3 in the image below).



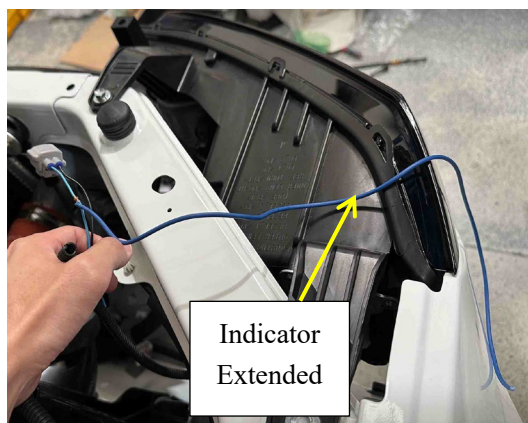
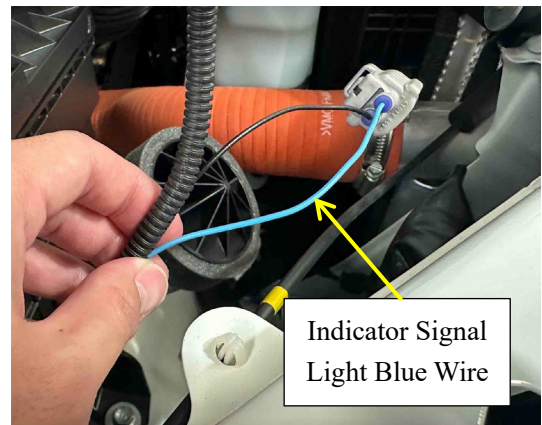
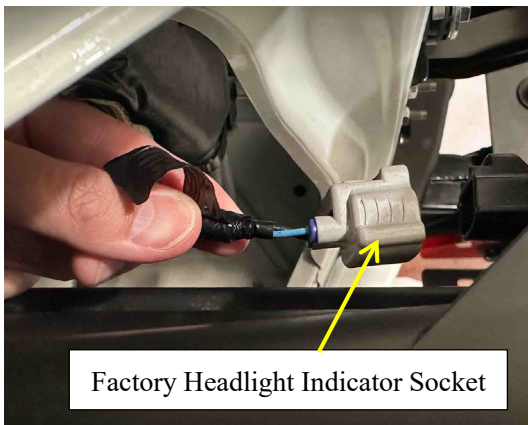
## Supreme X-Series Front Bar – Isuzu MU-X 2021-2024

34. Wire the RGB Signal Wire (Green and Yellow) to the Factory Headlight Socket Parker Wire (Purple one identified in the step above). Solder and wrap in electrical tape to secure.

**NOTE:** Do not plug this back in yet as we will need to access this later.

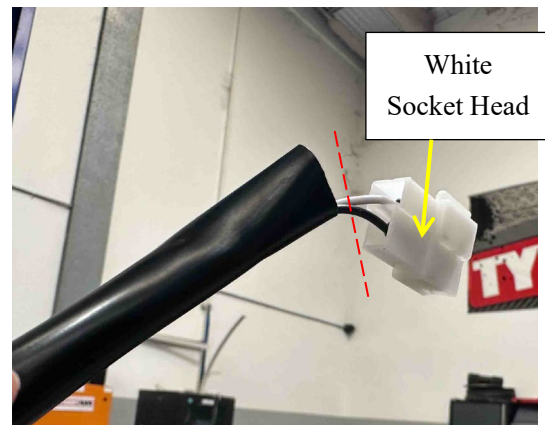


35. Unplug the Factory Headlight Indicator Sockets on both sides of the vehicle. Extend the Indicator Signal Wire (The Light Blue Coloured Wire) with a wire about 30cm long (This wire is not provided, you will need to source your own). Then re-plug the Factory Headlight Indicator Socket back in and let the extended wire hang down under the headlights for both sides as shown below.

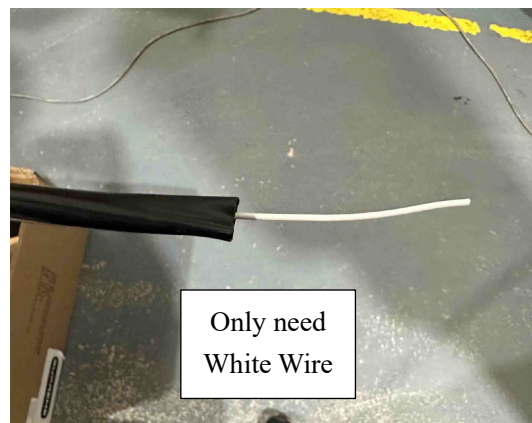
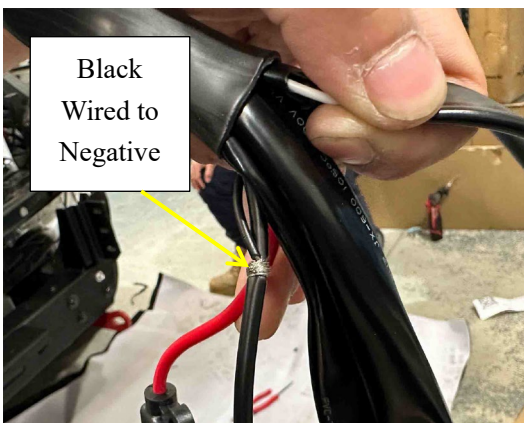


## WIRING THE HIGH BEAM HARNESS

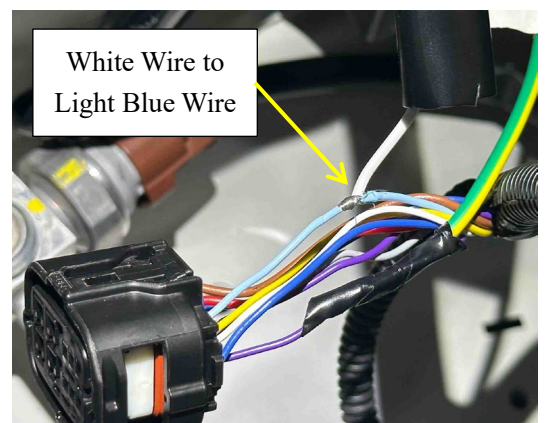
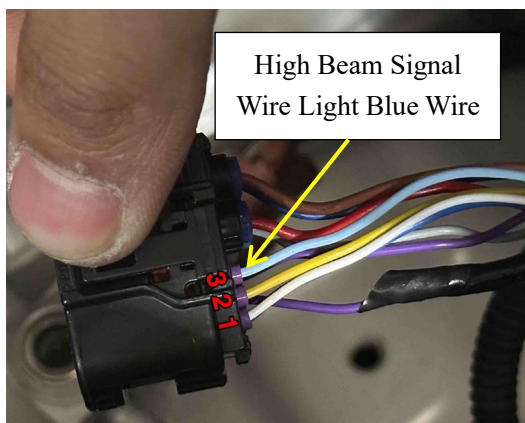
36. Take the Supreme High Beam Harness shown below. Cut off the White Socket Head at the top to expose the White and Black Wires.



37. Go to the base of where the Black Wire is and cut open the black cover to expose it and cut it short. Then connect the shortened Black Wire at the base to the Negative Black Wire (the one with the Ring at end of it) and connect them together as shown below. Solder and Wrap in electrical tape.



38. Identify the High Beam Signal Wire (The Light Blue Wire Labelled 3) on the Factory Headlight Socket that was unplugged back in Step (33). Connect the White Wire from the High Beam Harness in the previous Step to this Light Blue High Beam Signal Wire. Solder and wrap in electrical tape to secure. Now you can re-plug the Factory Headlight Socket back in.



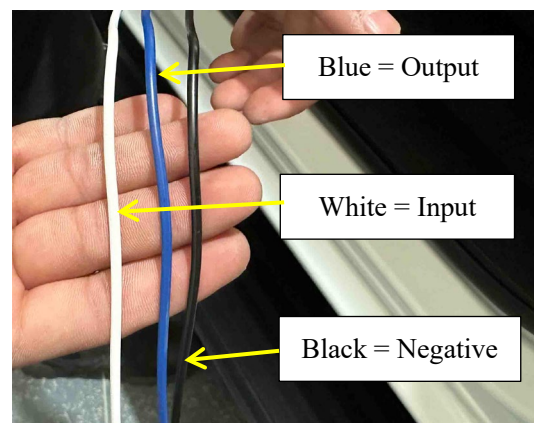
## Supreme X-Series Front Bar – Isuzu MU-X 2021-2024

39. Take the Wire bundle with the Switch Head from the High Beam Harness and cut it like shown to expose the Black, Blue and White Wires. Then run those 3 coloured wires through the Engine Bay Grommet into the Passenger Side Leg Area.



40. Now these wires can be used as a switch and wired depending on what type of switch is used.

Blue Wire = Output  
White Wire = Input  
Black Wire = Negative

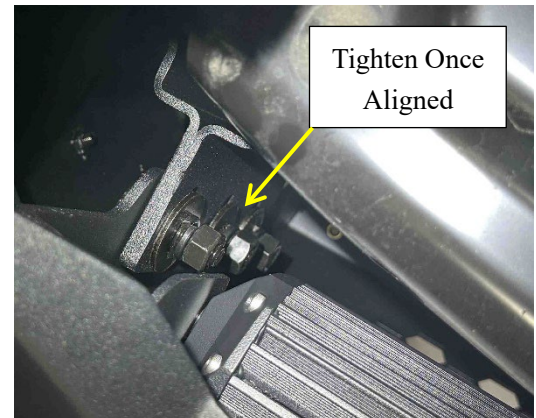


### FITTING ON THE FRONT BAR

41. With the wiring done it's time to fit the front bar onto the vehicle. We recommend having 2 people hold the bar on each side while adjusting its position. We recommend having at least a 15-20mm gap between the bar and body of the vehicle as shown, and to try your best to make this gap the same on both sides.



42. Secure the bar onto the vehicle using these brackets and bolts making sure not to tighten completely yet so you can make final adjustments to its alignment. Once you are happy with the alignment then you can tighten all the bolts to secure the bar onto the vehicle. You can tighten the bolts through the gap in the Front of the Bar like shown.



## Supreme X-Series Front Bar – Isuzu MU-X 2021-2024

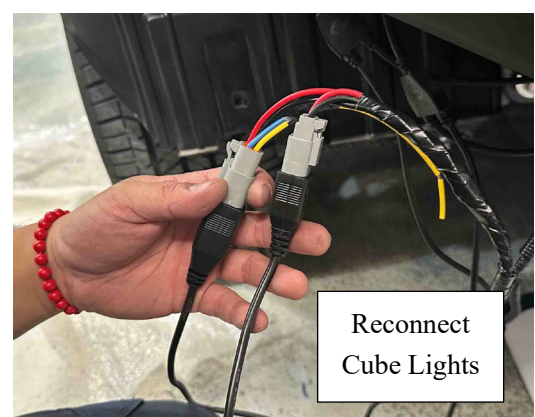
43. Reconnect the Factory Sensor Fog Light Plug back in - The one unplugged from Step (4).



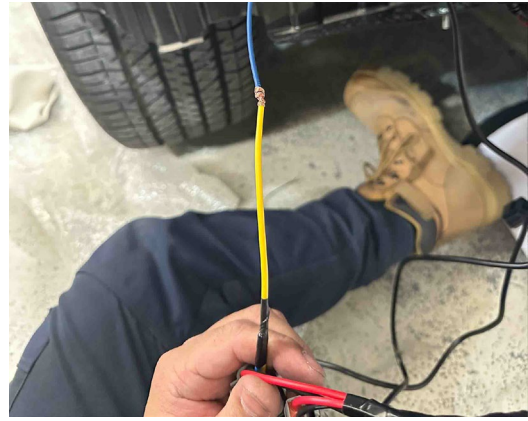
44. Connect all the factory sensor plugs (which is shown below) to the sensors on the Front Bar and connect the Light Bar Plug.



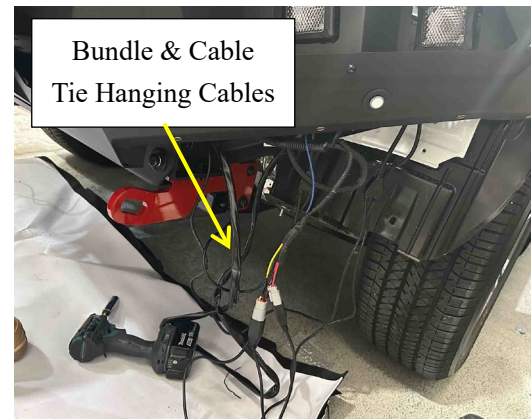
45. And connect all the RGB Lights to the RGB Harness like shown. There will be 6 plugs from the harness and 5 lights that need connecting (4 cube lights + 1 light bar) they can connect however you like and there will be 1 harness plug left over. Also reconnect the Cube Light Plugs together.



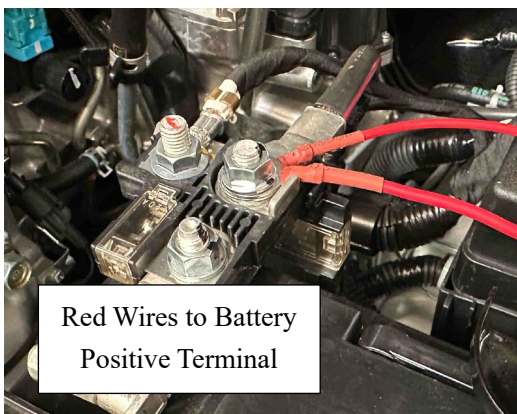
46. Connect the Yellow Wire from the Outer Cube Light Plugs to the Extended Signal Light Wires created back in Step (35). Then solder and wrap in electrical tape.



That should be all the lights (light bar and 4x cube lights), sensors and tech pack/radar all plugged in. Now bundle everything neatly together where you can and cable tie to have a tidy finish, no wires hanging or exposed and firmly secured.



47. Once everything is reconnected and all wired up, you will need connect the RGB and HIGHBEAM harnesses to the vehicle's battery. Firstly, connect the Negative (black) wires with the metal ring to the Negative Terminal of the vehicle's battery as shown and secure with a nut. Then connect the Positive (red) wires with the metal ring to the Positive Terminal of the vehicle's battery as shown and secure with a nut.

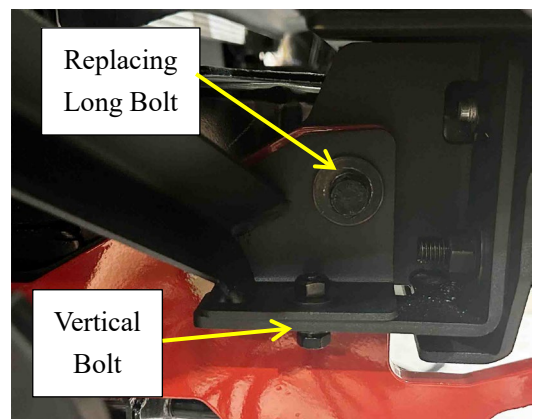
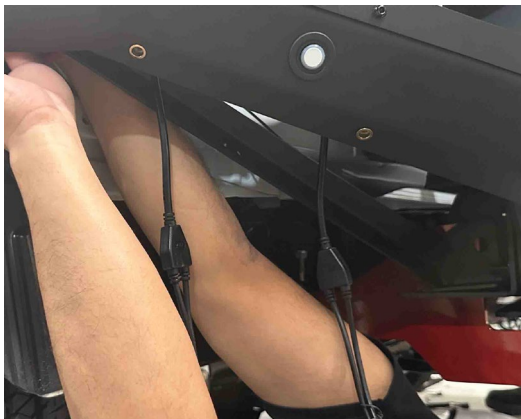


## Supreme X-Series Front Bar – Isuzu MU-X 2021-2024

48. Now to fit the support brackets on each side of the bar underneath the wing of the bar as shown. Start by removing the long bolt from the recovery points (The one we told you not to tighten in Step 16).



49. Insert the Support Bracket into position and secure onto the Recovery Point by reinserting the long bolt horizontally and tightening. While another bolt, washer and nut are vertically inserted to secure as shown. Secure the top part of the support bracket which goes into the wheel arch with just 1 bolt (There are 2 holes in this bracket support, but 1 bolt is sufficient and you can pick which hole is easier for you to use).

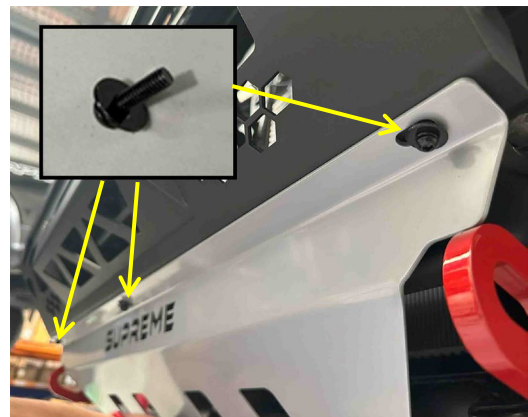


## FITTING THE BASH PLATE

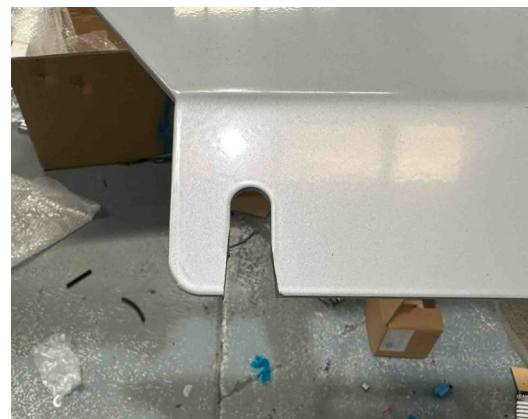
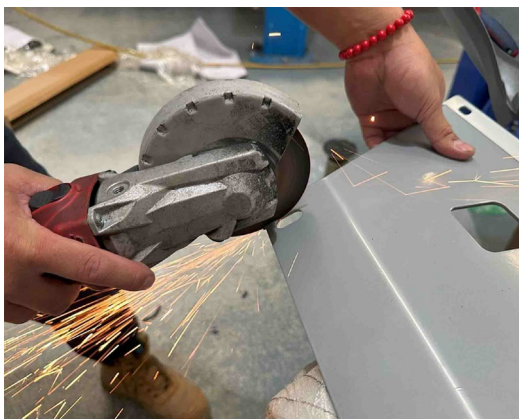
50. First fit the Rear Bash Plate securing it at the back with the 2 bolts, spring washer and washer as shown.



51. Then Fit the Frontal Bash Plate with the supreme word on, securing the 3 front points with the bolts and washers provided (But do not tighten yet).

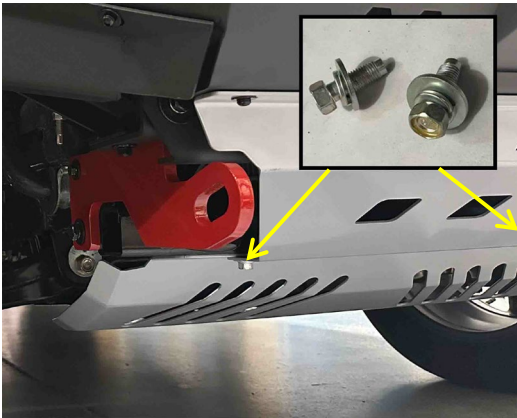


52. **NOTE:** Sometimes the Frontal Bash Plate holes will not align with the Rear Bash Plate's, if this is the case, enlarge the holes on the Frontal Bash Plate by cutting it like shown. Do this for both the holes on the Frontal Bash Plate. (If holes already match, skip this step, and tighten the front 3 bolts).

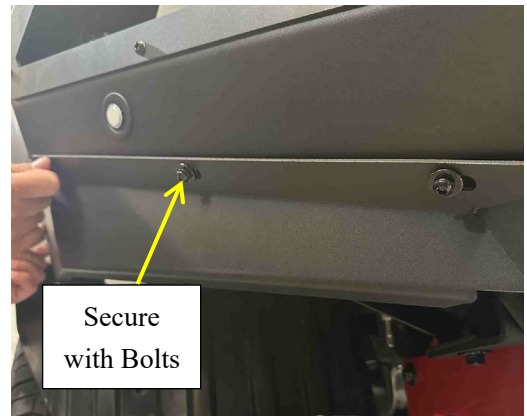


## Supreme X-Series Front Bar – Isuzu MU-X 2021-2024

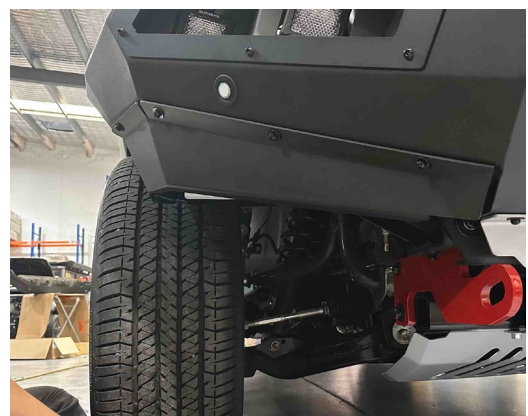
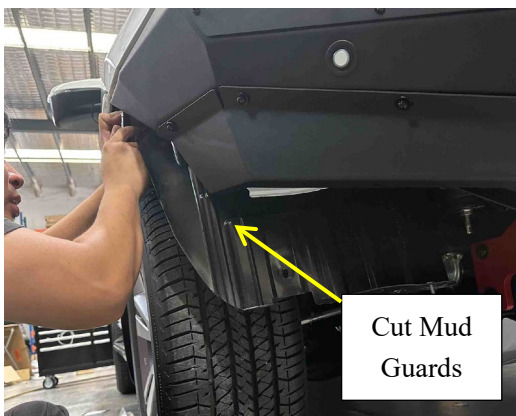
53. Secure the Frontal Bash Plate with the Rear Bash Plate using the 2 factory Bolts saved from Step (7).



54. Fit the Side Wing Plates onto each underside of the Front Bar and secure it with the Bolts provided.



55. Then Cut off the Front Mud Guards under each of the Side Wing Plates to match as shown.



### FITTING THE NUMBER PLATE HOLDER AND GRILLE

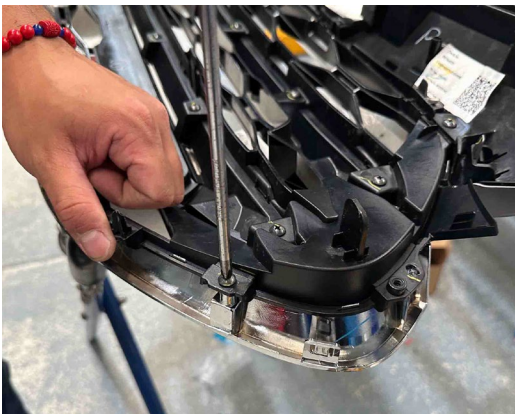
56. Secure the vehicles number plate onto the Number Plate Holder with these bolts and nuts, then fit the Number Plate Hinge Bracket to the Holder firmly but NOT overly tight as this hinge will allow for the number plate to flip up and down to access the winch if the vehicle is opting for one. Tightened enough so it is firmly in position, but the number plate can still be flipped up when needed. Then secure the Number Plate Holder to the Front Bar using the bolts and washers provided.



57. The Factory Grille requires modification to fit the Front Bar. Make sure to do these steps carefully as one mistake can ruin the grille. Firstly, unscrew the Grille from the Factory Bumper Bar



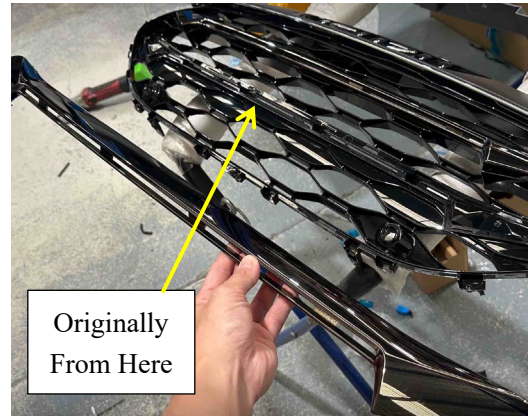
58. Remove this lower chrome part by unscrewing it like so.



## Supreme X-Series Front Bar – Isuzu MU-X 2021-2024

59. Next remove the lower black cross piece by unclipping the points shown here, it will take some force, you can opt to use a flat head screwdriver to assist, but be careful NOT to break any of these clips.

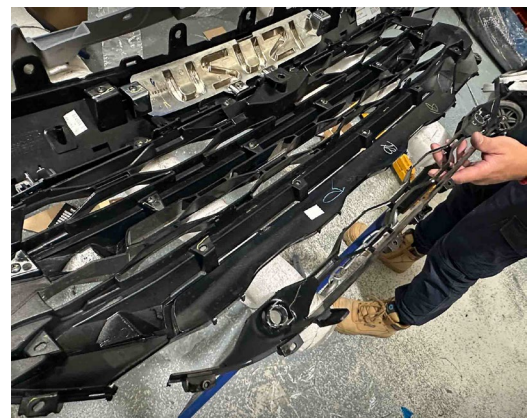
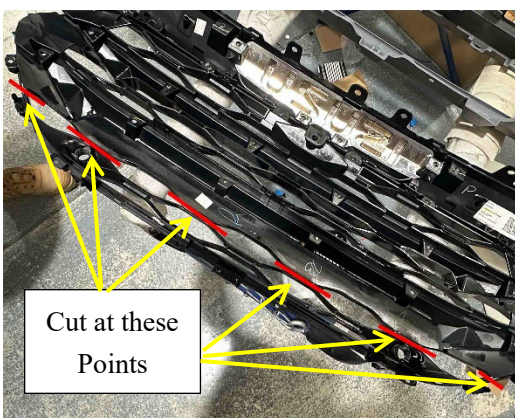
**NOTE:** You must keep this piece to be re-fitted later.



60. Cut off the piece marked here on the edge, both the right and the left side of the grille.

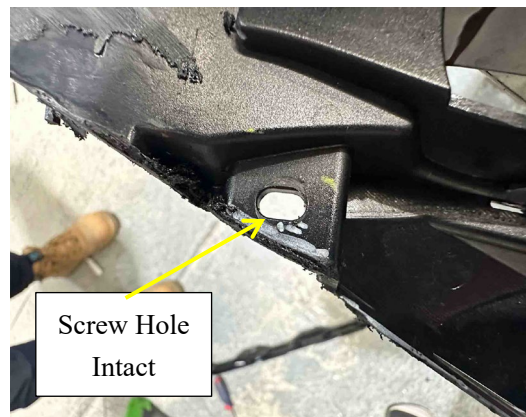
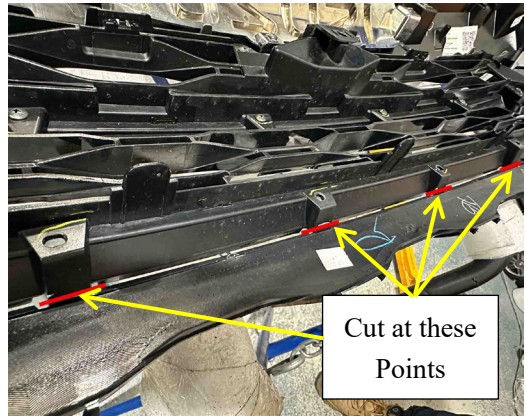
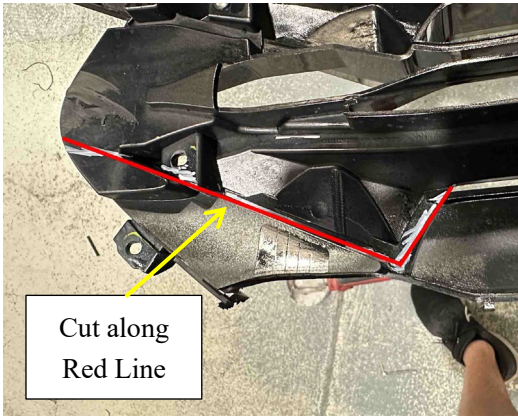


61. Cut the small attachment points indicated on the image below to remove the lower part of the Factory Grille.

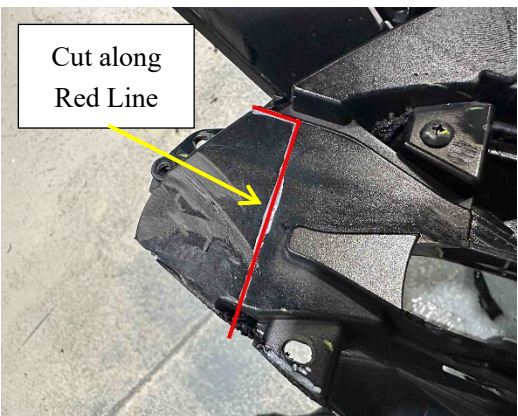


62. Cut along the points shown below to remove more of the lower part of the Factory Grille.

**IMPORTANT:** When cutting around the screw holes on the sides of the grille, make sure you leave the holes intact and not cut into it, as you will need to use those holes later.



63. Then Cut a piece out of both sides of the Factory Grille like shown below, and the final look will be like this.



## Supreme X-Series Front Bar – Isuzu MU-X 2021-2024

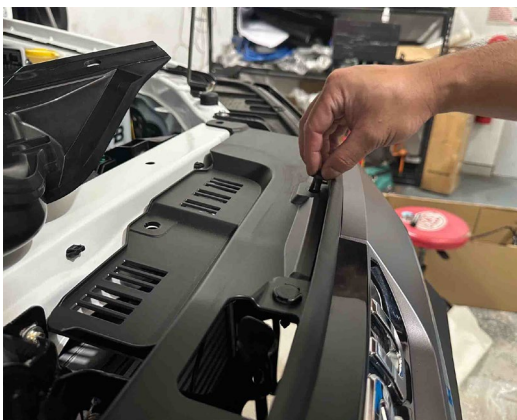
64. Finally re-fit the Black Cross Piece that was removed in Step (59) back onto the front of the Factory Grille by clipping it back on. The Final Modified Grille should look like this.



65. Fit the Newly Modified Grille back onto the vehicle, carefully resting behind the bar. There is a screw that needs to be secured on at the front (the factory screw kept when removing the grille), and also clips at the top.



66. Refit the Plastic Front Cover by clipping them in with the clips that were saved when removing it. Also the Air intake needs to be refitted and clipped in.



67. Lastly put the negative battery terminal back into its place that was removed in Step (1).



68. Test all the lights: High Beam, Fog Lights, Indicators, Light Bar

69. Test all the sensors and camera.

70. If any of the Lights, Sensors or Camera are not working, go back through the fitting instructions and make sure you have followed them correctly and that your fitment matches.

### **INSTALLATION IS NOW COMPLETE**

71. Stand back and admire your work of art.

## **NOTE**

Any damage caused by improper installation or not following the fitting instructions will NOT be covered by our product warranty.